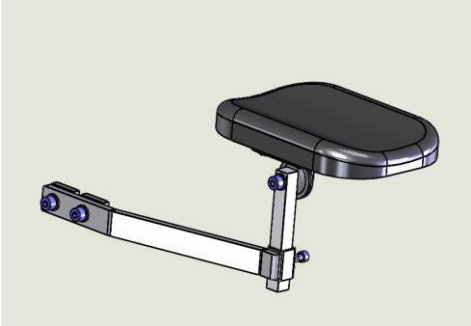


Vedr.: Amputationsbenstøtte Ergo std.	PUP nr.:	20-008
	Udarbejdet af:	LPA
	Dato:	13-11-2019
	Intern <input checked="" type="checkbox"/>	Ekstern <input checked="" type="checkbox"/>

1506-1219 Amputationsstøtte Ergo std. h/v udgår



Den erstattes af 2406-1533 Amputationsstøtte H/V, Justerbar. Spinalus-2 + Ergo std.



Opdateringen er trådt i kraft.

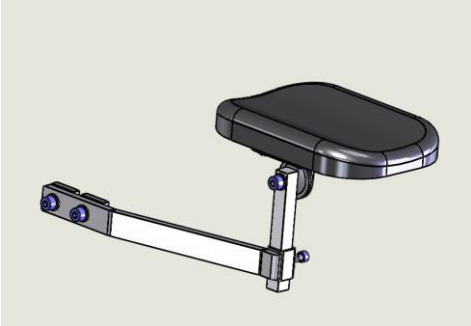


Klaus Smedegaard
R & D Manager



Regarding: Amputations support Ergo standard	PUP No.:	20-008
	Prepared by:	LPA
	Date:	13-11-2019
	Internal <input checked="" type="checkbox"/>	External <input checked="" type="checkbox"/>

1506-1219 Amputation support Ergo standard left/right expire



It is replaced by 2406-1533 Amputation support left/right, adjustable. Spinalus-2 + Ergo standard.



The update has taken effect.



Klaus Smedegaard
R & D Manager

