



medemagruppen



## Reservedele / Spare parts MC 1124 Adult

## MC 1124 Adult

# Indholdsfortegnelse

|   |    |
|---|----|
| Undervogn, skærme og power modul .....    | 4  |
| Affjedring og svinghjul .....             | 6  |
| Drivhjul.....                             | 8  |
| Motor .....                               | 10 |
| Sædemodul MC 1124 - el-hejs og tilt ..... | 12 |
| Fenderhjul, sæt MC 1124 .....             | 14 |
| Spinalus-2 MC 1124 uden puder .....       | 16 |
| Spinalus-2 MC 1124 uden puder .....       | 18 |
| Fodstøtte aktuator del.....               | 20 |
| Beslag for fodstøtte .....                | 22 |
| Fodstøtte delte elektrisk voksen .....    | 24 |
| Fodstøtte manuel voksen .....             | 26 |
| Fodplade.....                             | 28 |
| Central fodplade, elektrisk voksen.....   | 30 |
| Central fodplade, voksen, manuel .....    | 32 |
| Sving væk joystickholder .....            | 34 |
| EI-dele MC 1124 .....                     | 36 |

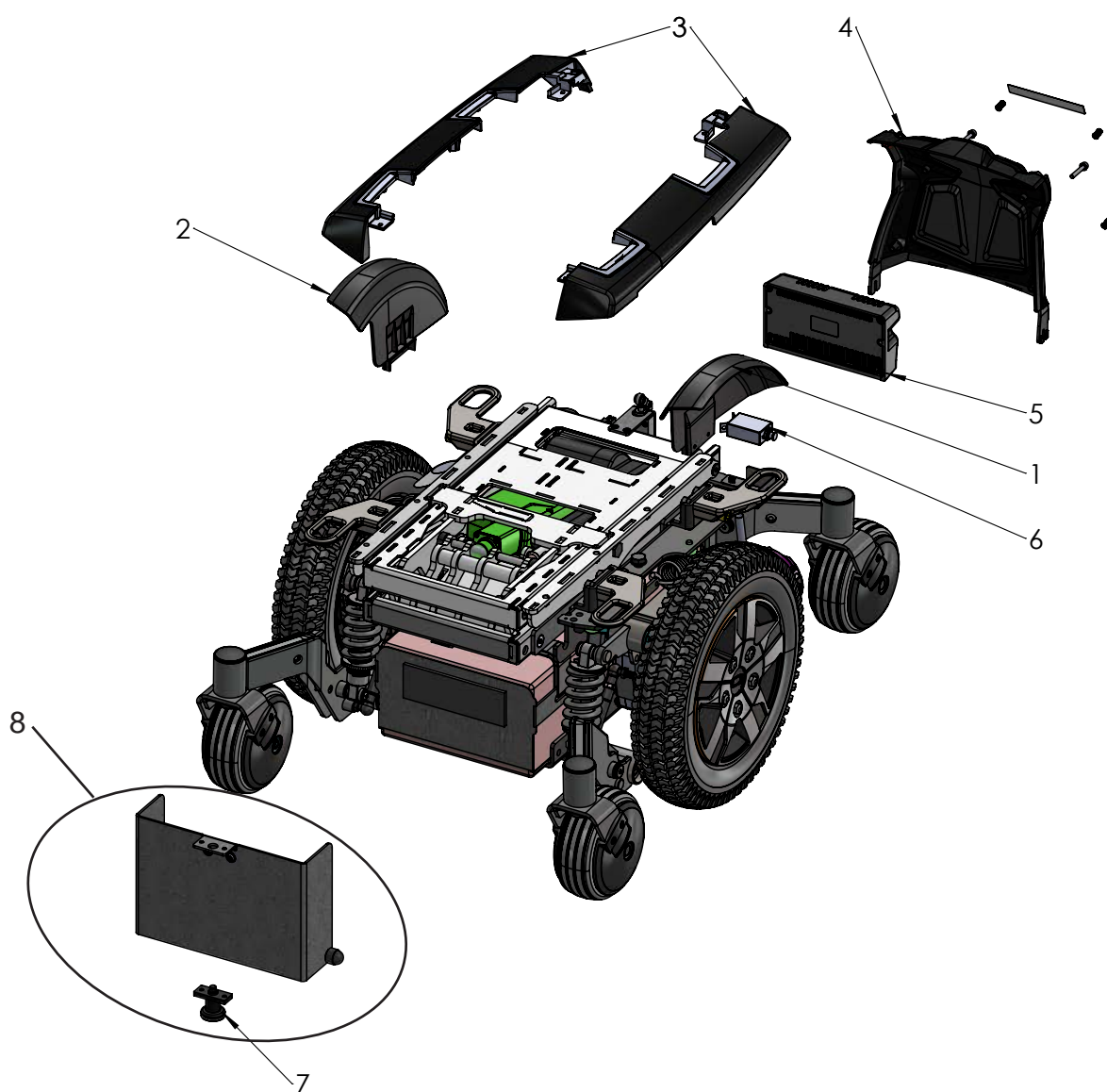
# MC 1124 Adult

## Content

|   |    |
|---|----|
| Under carriage, covers and power module.....        | 4  |
| Suspension and pivot wheels .....                   | 6  |
| Drive wheel.....                                    | 8  |
| Motor .....   | 10 |
| Seat module MC 1124 - electric hoist and tilt ..... | 12 |
| Fender wheels, set MC 1124.....                     | 14 |
| Spinalus-2 MC 1124 without cushions.....            | 16 |
| Spinalus-2 MC 1124 without cushions.....            | 18 |
| Footrest actuator part.....                         | 20 |
| Bracket for footrest .....                          | 22 |
| Footrest electric adult .....                       | 24 |
| Footrest manual adult.....                          | 26 |
| Foot plate.....                                     | 28 |
| Central foot plate, electric adult.....             | 30 |
| Central foot plate, adult, manual.....              | 32 |
| Swing-away joystick mount .....                     | 34 |
| Electric parts MC 1124 .....                        | 36 |

# MC 1124 Adult

Undervogn, skærme og power modul  
Under carriage, covers and power module



# MC 1124 Adult

## Undervogn, skærme og power modul Under carriage, covers and power module

| Pos. | Del/part no. | Benævnelse                                   | Part name                                      | Antal/<br>quant. |
|------|--------------|--|--|------------------|
| 1    | 2401-1269    | Hjulskærm højre MC 1124                      | Wheel cover, right, MC 1124                    | 1                |
| 2    | 2401-1270    | Hjulskærm venstre MC 1124                    | Wheel cover, left, MC 1124                     | 1                |
| 3    | 2401-1003    | Centerskærm MC 1124                          | Central cover, MC 1124                         | 1                |
| 4    | 2401-1001    | Skærm bag, MC 1124                           | Back cover, MC 1124                            | 1                |
| 5    | 2405-1274    | Power modul R-NET 120A                       | Power module R-NET 120A                        | 1                |
| 6    | 2405-1448    | Automat sikring med fly 413-K14-LN2-70A      | Thermal fuse w/flight security 413-K14-LN2-70A | 1                |
| 7    | 2435-1052    | Ganter positionsbolt med flange Ø8x8         | Ganter positioning bolt w/flange Ø8x8          | 1                |
| 8    | 2402-1010    | Front klap for batteribakke, MC 1124 komplet | Front cover for batteri tray, MC 1124 complete | 1                |



medemagruppen

# MC 1124 Adult

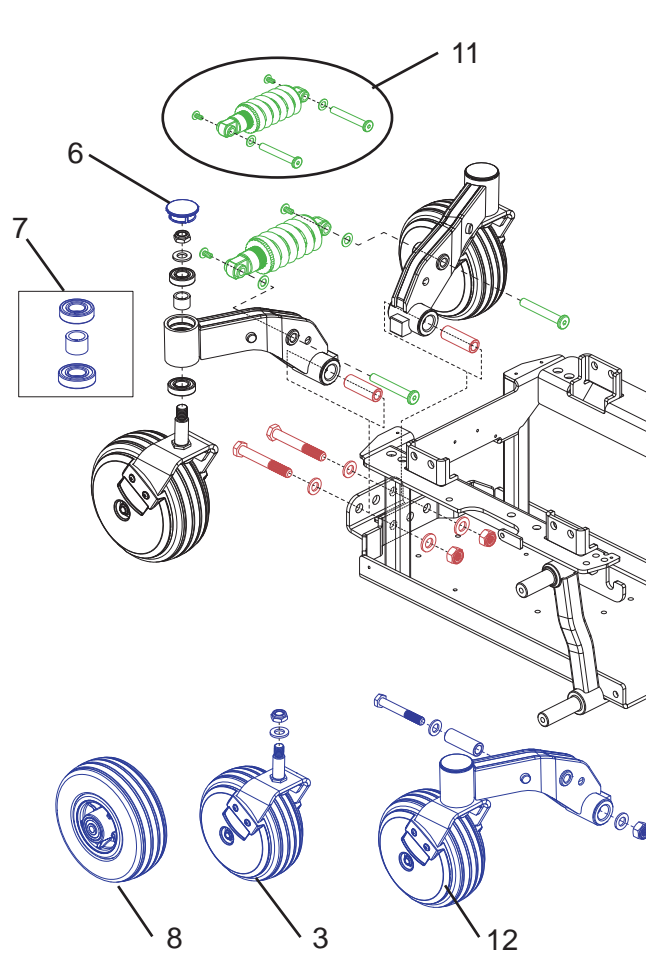
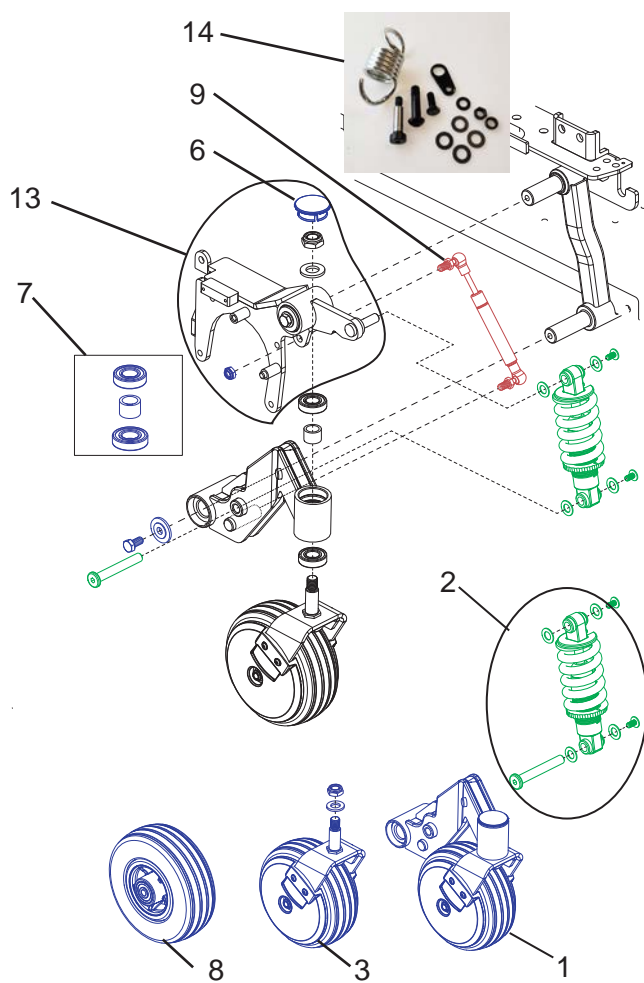
## Affjedring og svinghjul Suspension and pivot wheels



For / Front



Bag / Back



# MC 1124 Adult

## Affjedring og svinghjul Suspension and pivot wheels

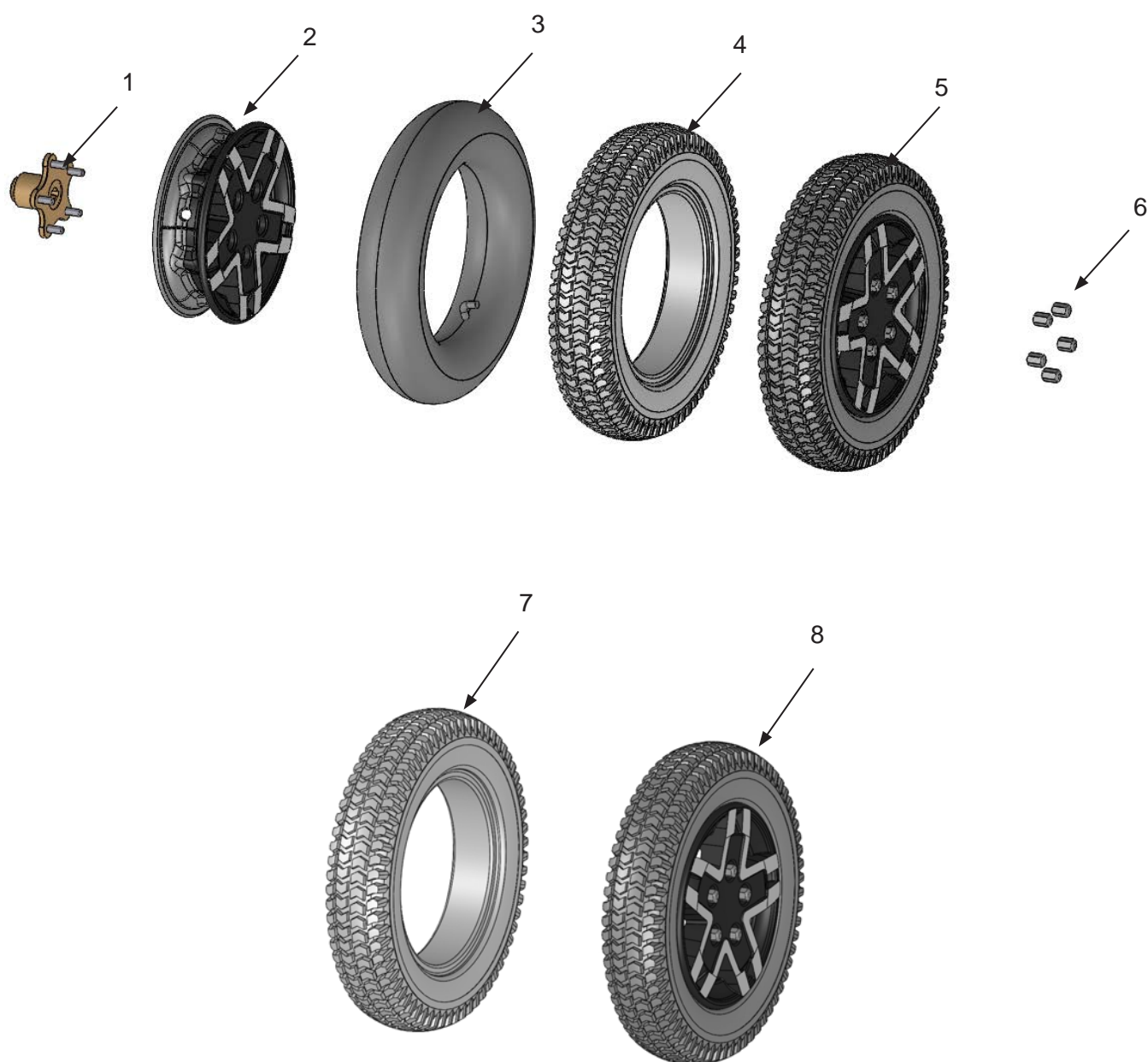
| Pos. | Del/part no. | Benævnelse  | Part name  | Antal/<br>quant. |
|------|--------------|---|--|------------------|
| 1    | 2402-1020    | Affjedring, front m/6" svinghjul, højre MC 1124   | Suspension front, w/6" wheel, right MC 1124      | 1                |
|      | 2402-1021    | Affjedring, front m/6" svinghjul, venstre MC 1124 | Suspension front, w/6" pivot wheel, left MC 1124 | 1                |
| 2    | 2406-1632    | Fjeder til affjedring, MC 1124                    | Suspension spring, MC 1124                       | 1                |
| 3    | 2403-1005    | Svinghjul m/gaffel                                | Pivot wheel w/fork                               | 2                |
| 4    | 2409-1003    | Reflekslabel rød 30x50                            | Reflective label red 30x50                       | 2                |
| 5    | 2409-1004    | Reflekslabel hvid 30x50                           | Reflective label white 30x50                     | 2                |
| 6    | 2435-1053    | Topdæksel til affjedring bag                      | Top cover for suspension back                    | 2                |
| 7    | 2435-1054    | Kugleleje til svinghjul MC 1124                   | Ball bearing for pivot wheel MC 1124             | 4                |
| 8    | 2403-1004    | Svinghjul m/lejer, sort MC 1124                   | Pivot wheel w/bearings, black MC 1124            | 4                |
| 9    | 2406-1214    | Støddæmper til svinghjul, 1124                    | Suspension for pivot wheels , 1124               | 1                |
| 10   | 2435-1028    | Bøsning for svinghjulsarm, MC 1124                | Bushing for pivotwheels arm, MC1124              | 2                |
| 11   | 2406-1633    | Fjeder bag, incl skruer MC 1124                   | Suspension spring back, MC 1124                  | 1                |
| 12   | 2402-1174    | Svinghjul med arm bag MC 1124 højre               | Pivot wheel with caster arm back MC 1124 right   | 1                |
|      | 2402-1175    | Svinghjul med arm bag MC 1124 venstre             | Pivot wheel with caster arm back MC 1124 left    | 1                |
| 13   | 2404-1495    | Motorophæng MC 1124 højre                         | Engine mount MC 1124 right                       | 1                |
|      | 2404-1496    | Motorophæng MC 1124 venstre                       | Engine mount MC 1124 left                        | 1                |
| 14   | 2406-1684    | Fjeder, motorophæng MC 1124                       | Spring, engine mount                             | 2                |



medemagruppen

# MC 1124 Adult

Drivhjul  
Drive wheel



# MC 1124 Adult

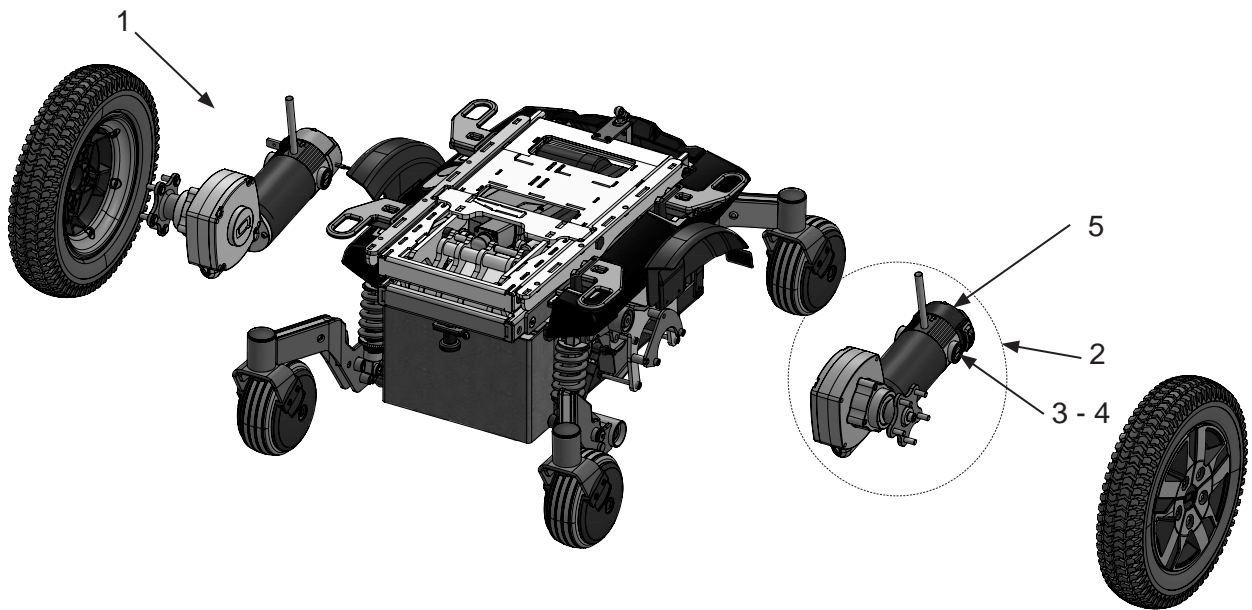
## Drivhjul Drive wheel

| Pos. | Del/part no. | Benævnelse                                       | Part name  | Antal/<br>quant. |
|------|--------------|--|--|------------------|
| 1    | 2406-1634    | Flange/nav til drivhjul MC 1124 / MC 1144        | Wheel hub for drive wheel, MC 1124 / MC 1144         | 1                |
| 2    | 2403-1244    | Fælg sort for MC 1124/MC 1144                    | Rim black complete MC 1124 / MC 1144                 | 1                |
| 3    | 2403-1110    | Slange til trækjul MC 1124 / MC 1144 (3.00-8)    | Central hose MC 1124 / MC 1144 (3.00-8)              | 1                |
| 4    | 2403-1007    | Dæk for drivhjul, sort MC 1124 / MC 1144, luft   | Tyre for drive wheel, black MC 1124 / MC 1144, air   | 1                |
| 5    | 2403-1242    | Drivhjul luft, MC 1124/MC 1144, sort             | Drive wheel complete, black MC 1124 / MC 1144, air   | 1                |
| 6    | 2431-1031    | Hjulmøtrikker 5 stk., MC 1124 / MC 1144          | Wheel nuts 5 pcs. MC 1124 / MC 1144                  | 1                |
| 7    | 2403-1010    | Dæk for drivhjul, sort MC 1124 / MC 1144, massiv | Tyre for drive wheel, black MC 1124 / MC 1144, solid | 1                |
| 8    | 2403-1243    | Drivhjul massiv, MC 1124/MC 1144, sort           | Drive wheel complete, black MC 1124 / MC 1144, solid | 1                |



# MC 1124 Adult

Motor  
Motor



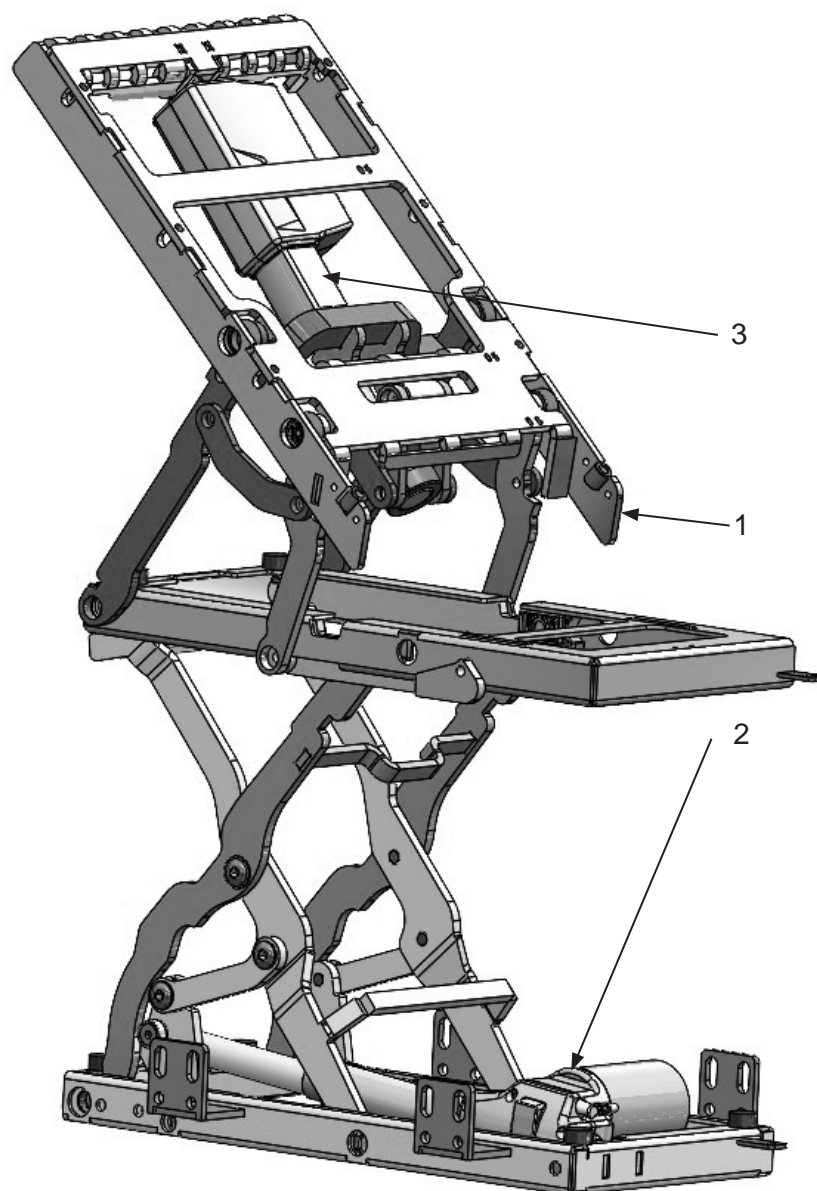
# MC 1124 Adult

## Motor Motor

| Pos. | Del/part no. | Benævnelse                        | Part name                          | Antal/<br>quant. |
|------|--------------|-----------------------------------|------------------------------------|------------------|
| 1    | 2404-1004    | Motor/gear, MC 1124, højre        | Motor/gear, MC 1124, right         | 1                |
| 2    | 2404-1005    | Motor/gear, MC 1124, venstre      | Motor/gear, MC 1124, left          | 1                |
| 3    | 2404-1010    | Kul til motor, MC 1124            | Coal for motor MC 1124             | 8                |
| 4    | 2404-1011    | Dæksel for kul, MC 1124           | Lid for coal MC 1124               | 8                |
| 5    | 2404-1499    | Magnetbremse, MC1124/1144 højre   | Magnetic brake, MC 1124/1144 right | 1                |
|      | 2404-1498    | Magnetbremse, MC1124/1144 venstre | Magnetic brake, MC 1124/1144 left  | 1                |

# MC 1124 Adult

Sædemodul MC 1124 - el-hejs og tilt  
Seat module MC 1124 - electric hoist and tilt



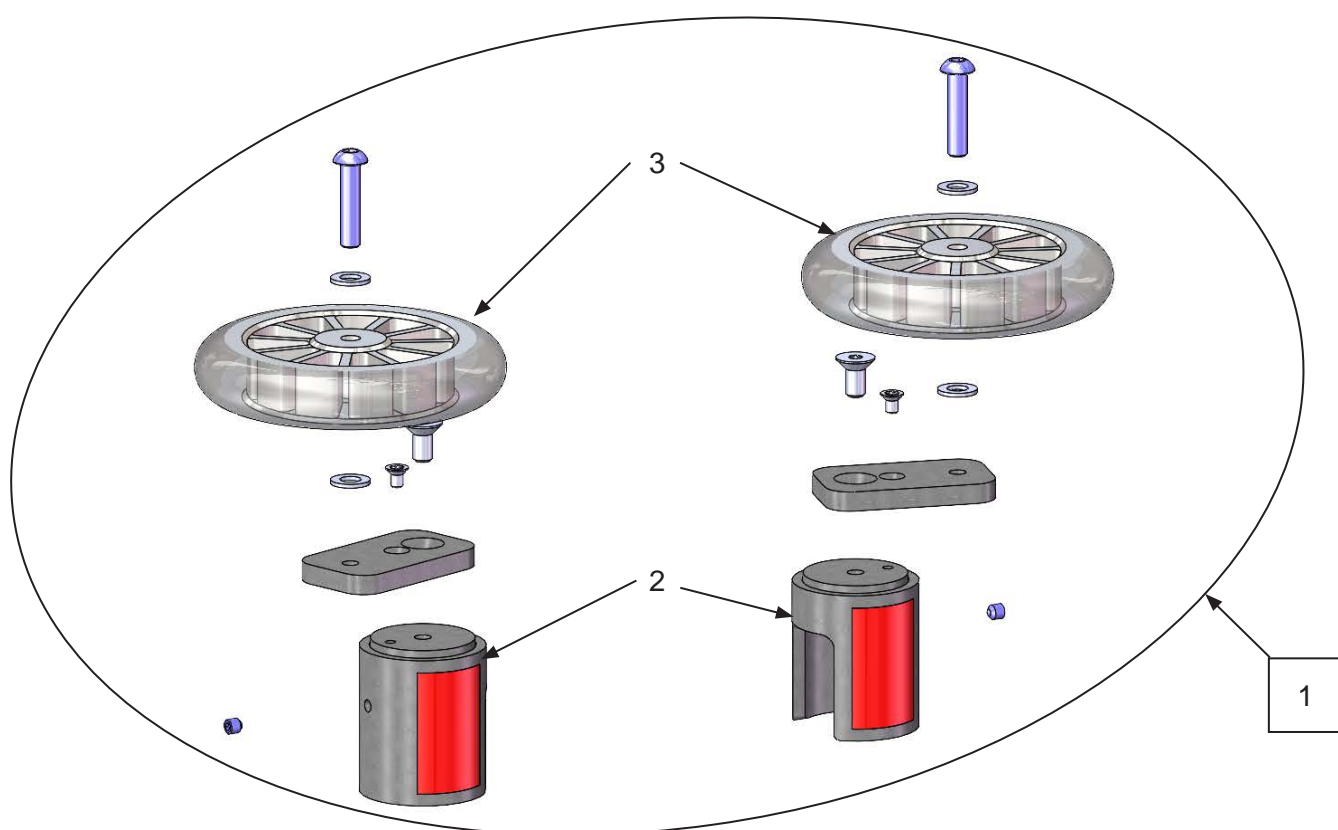
# MC 1124 Adult

## Sædemodul MC 1124 - el-hejs og tilt Seat module MC 1124 - electric hoist and tilt

| Pos. | Del/part no. | Benævnelse                                      | Part name   | Antal/<br>quant. |
|------|--------------|---|---|------------------|
| 1    | 2408-1475    | Sædemodul, el-hejs og tilt for Spinalus-3       | Seat module electric hoist and tilt for Spinalus-2    | 1                |
| 2    | 2405-1748    | Aktuator sædemodul SP3 hejs TA41<br>117MM 8000N | Hoist actuator for Spinalus-2                         | 1                |
| 3    | 2405-1749    | Aktuator sædemodul SP3 tilt TA29<br>100MM 6000N | Tilt actuator for Spinalus-2                          | 1                |
|      | 2402-1173    | Gummibuffer for hejs og tilt MC1124 /<br>MC1144 | Rubber for electric hoist and tilt<br>MC1124 / MC1144 | 2                |

# MC 1124 Adult

Fenderhjul, sæt MC 1124  
Fender wheels, set MC 1124



# MC 1124 Adult

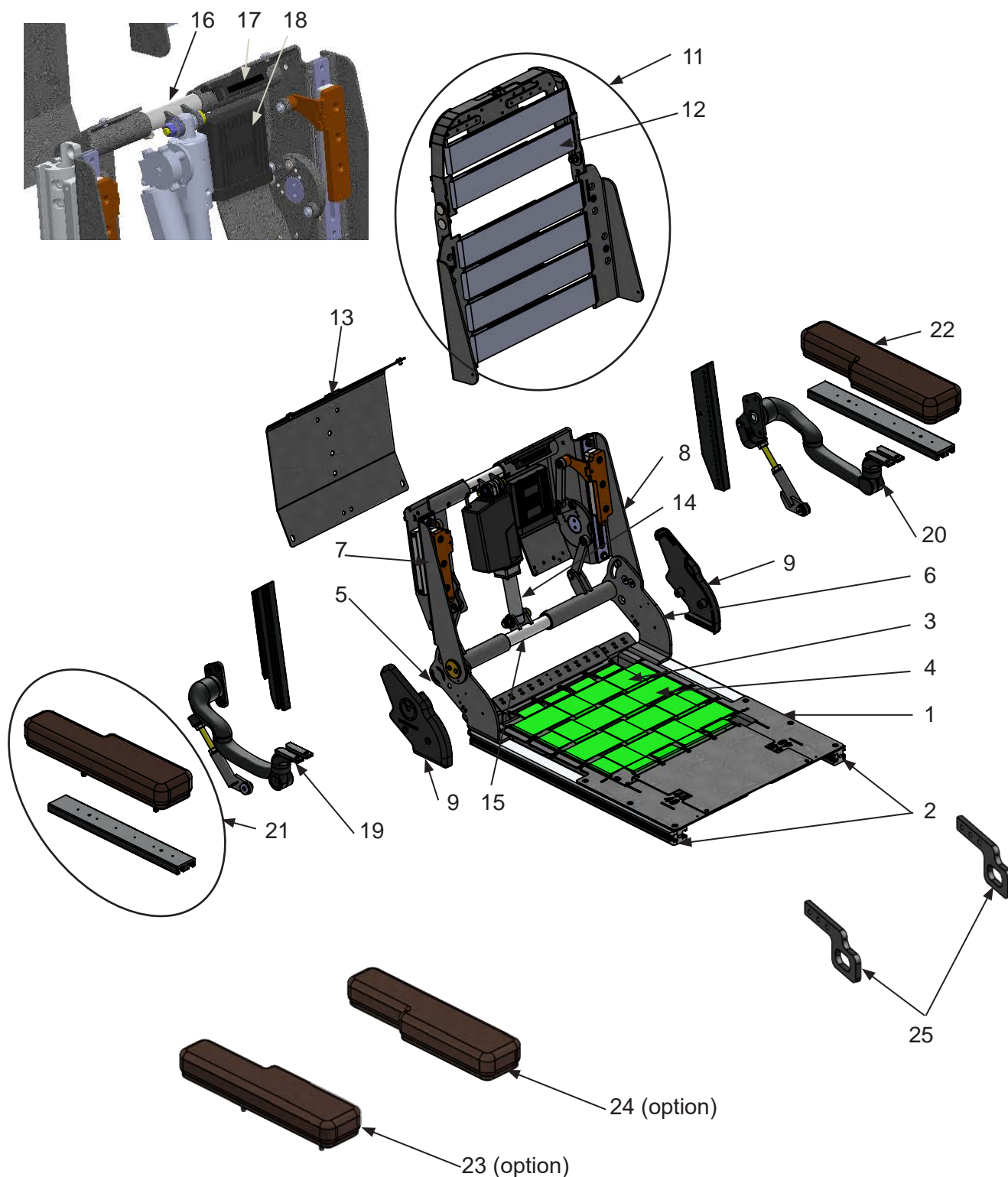
## Fenderhjul, sæt MC 1124

## Fender wheels, set MC 1124

| Pos. | Del/part no. | Benævnelse                          | Part name                          | Antal/<br>quant. |
|------|--------------|-------------------------------------|------------------------------------|------------------|
| 1    | 2406-1506    | Fenderhjul, sæt MC 1124             | Fender wheels, set MC1124          | 1                |
| 2    | 2406-1581    | Slidset beslag, fenderhjul, MC 1124 | Bracket for fender wheels, MC 1124 | 2                |
| 3    | 2403-1121    | Fenderhjul 125 mm m/klar bane       | Fender wheel 125 mm                | 2                |

# MC 1124 Adult

Spinalus-2 MC 1124 uden puder  
 Spinalus-2 MC 1124 without cushions



# MC 1124 Adult

## Spinalus-2 MC 1124 uden puder Spinalus-2 MC 1124 without cushions

| Pos. | Del/part no. | Benævnelse   | Part name   | Antal/ quant. |
|------|--------------|--|---|---------------|
| 1    | 2407-1190    | Sæderamme 40-55 cm komplet med gjorder og C-skiner, Spinalus-2/3 | Seat frame 40-55 cm complete, w/webbing and C-rails, Spinalus-2/3 | 1             |
| 2    | 2407-1191    | Dobbel C-skinne for sæderamme 40-55 cm, Spinalus-2/3             | Double C-rail for seat frame 40-55 cm, Spinalus-2/3               | 2             |
| 3    | 2407-1192    | Gjord for sæderamme, langsgående, Spinalus 2/3                   | Webbing for seat frame, longitudinal, Spinalus 2/3                | 3             |
| 4    | 2407-1193    | Gjord for sæderamme, tværgående m/justering, Spinalus 2          | Webbing for seat frame, transverse w/adjustment, Spinalus 2       | 3             |
| 5    | 2407-1194    | Hængsel beslag, højre, komplet, Spinalus-2/3                     | Hinge bracket, right, complete, Spinalus-2/3                      | 1             |
| 6    | 2407-1195    | Hængsel beslag, venstre, komplet, Spinalus-2/3                   | Hinge bracket, left, complete, Spinalus-2/3                       | 1             |
| 7    | 2407-1196    | Sidehængselplade, højre, komplet, Spinalus-2/3                   | Side hinge plate, right, complete, Spinalus-2/3                   | 1             |
| 8    | 2407-1197    | Sidehængselplade, venstre, komplet, Spinalus-2/3                 | Side hinge plate, left, complete, Spinalus-2/3                    | 1             |
| 9    | 2407-1344    | Afskærmningskit, hængsler, H/V Spinalus-2/3                      | Cover for back rest hinges, right/left, Spinalus-2/3              | 1             |
| 11   | 2407-1200    | Rygramme 40-55 cm, komplet med gjorder, Spinalus-2/3             | Backrest frame 40-55 cm, complete w/webbing, Spinalus-2/3         | 1             |
| 12   | 2407-1201    | Gjord for rygramme 40-55 cm, Spinalus-2/3                        | Webbing for backrest frame 40-55 cm, Spinalus-2/3                 | 6             |
| 13   | 2407-1202    | Afdækning bag, Spinalus-2/3                                      | Rear cover, Spinalus-2/3  | 1             |
| 14   | 2405-1746    | Aktuator Spinalus-3 voksen TA29 60mm 6000N                       | Actuator Spinalus-3 adult TA29 60mm 6000N                         | 1             |
| 15   | 2407-1203    | Aksel for aktuator 40-55 cm, nederst, Spinalus-2/3               | Axle for actuator 40-55 cm, bottom, Spinalus-2/3                  | 1             |
| 16   | 2407-1204    | Aksel for aktuator 40-55 cm, øverst, Spinalus-2/3                | Axle for actuator 40-55 cm, top, Spinalus-2/3                     | 1             |
| 17   | 2405-1452    | R-net 4-stik for buskabel (option)                               | R-net 4-way connector for bus cable (option)                      | 1             |
| 18   | 2405-1273    | Aktuatorboks, 6+L R-net  | Actuator box 6+L R-net  | 1             |
| 19   | 2407-1421    | Armlæn, H, base, Spinalus-3 - voksen                             | Armrest base R, Spinalus-3 - adult                                | 1             |
| 20   | 2407-1420    | Armlæn, V, vase, Spinalus-3 - voksen                             | Armrest base L, Spinalus-3 - adult                                | 1             |
| 21   | 2407-1466    | Armlænspude m/c-skinne, Spinalus-3, 70x210mm højre               | Armrest cushion w/c-rail, Spinalus-3, 70x210mm right              | 1             |
| 22   | 2407-1467    | Armlænspude m/c-skinne, Spinalus-3, 70x210mm venstre.            | Armrest cushion w/c-rail, Spinalus-3, 70x210mm left.              |               |
|      | 2407-1468    | Armlænspude m/c-skinne, Spinalus-3, 70x260mm højre               | Armrest cushion w/c-rail, Spinalus-3, 70x260mm right              |               |
|      | 2407-1469    | Armlænspude m/c-skinne, Spinalus-3, 70x260mm venstre.            | Armrest cushion w/c-rail, Spinalus-3, 70x260mm left.              |               |
|      | 2407-1470    | Armlænspude m/c-skinne, Spinalus-3, 70x300mm højre               | Armrest cushion w/c-rail, Spinalus-3, 70x300mm right              |               |

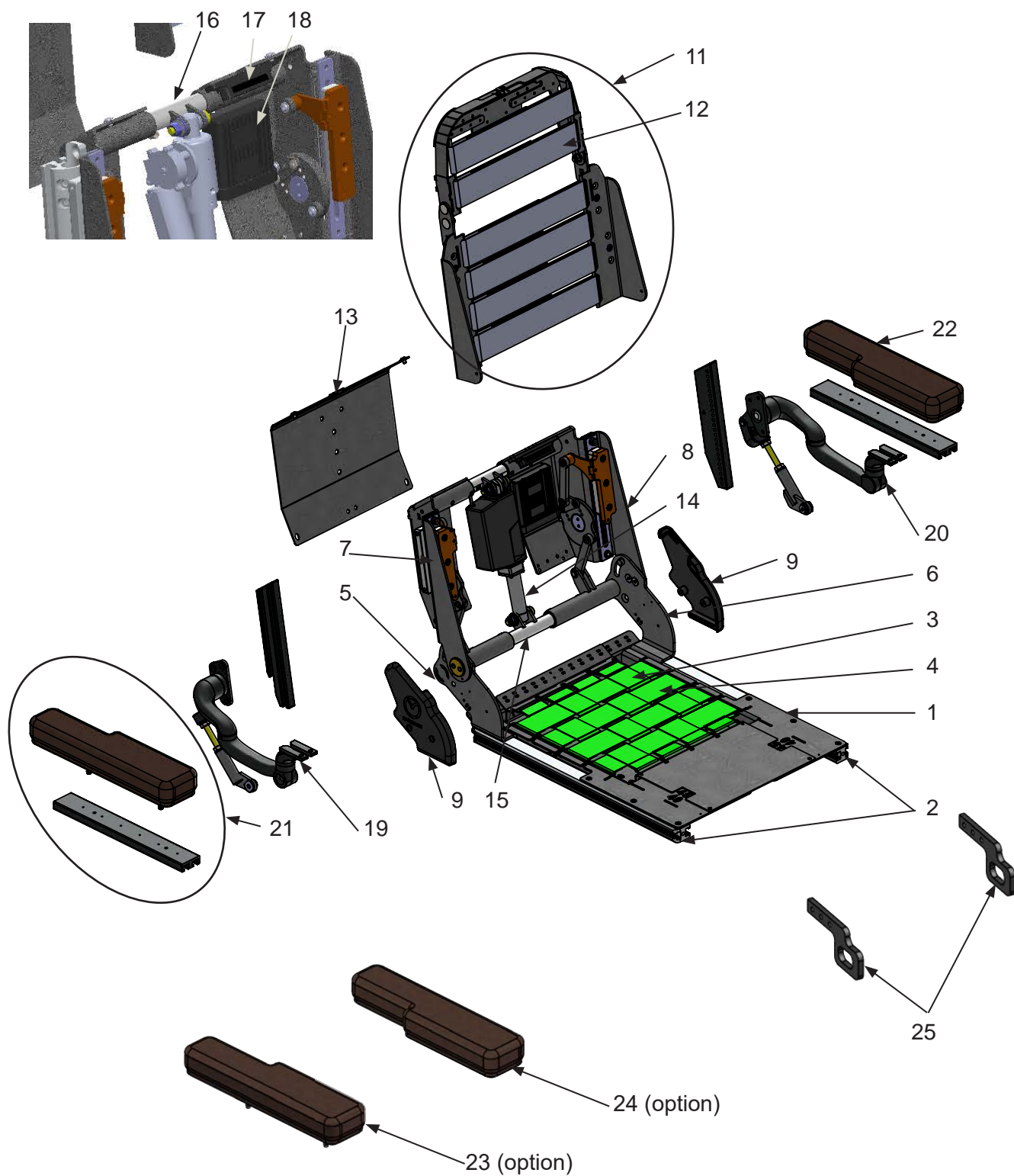
# MC 1124 Adult

## Spinalus-2 MC 1124 uden puder Spinalus-2 MC 1124 without cushions

| Pos. | Del/part no. | Benævnelse   | Part name  | Antal/quant. |
|------|--------------|--|--|--------------|
|      | 2407-1471    | Armlæns pude m/c-skinne, Spinalus-3, 70x300mm venstre.     | Armrest cushion w/c-rail, Spinalus-3, 70x300mm left.         |              |
|      | 2407-1472    | Armlæns pude m/c-skinne, Spinalus-3, 70x350mm højre        | Armrest cushion w/c-rail, Spinalus-3, 70x350mm right         |              |
|      | 2407-1473    | Armlæns pude m/c-skinne, Spinalus-3, 70x350mm venstre.     | Armrest cushion w/c-rail, Spinalus-3, 70x350mm left.         |              |
|      | 2407-1474    | Armlæns pude m/c-skinne, Spinalus-3, 70x400mm højre        | Armrest cushion w/c-rail, Spinalus-3, 70x400mm right         |              |
|      | 2407-1475    | Armlæns pude m/c-skinne, Spinalus-3, 70x400mm venstre.     | Armrest cushion w/c-rail, Spinalus-3, 70x400mm left.         |              |
|      | 2407-1476    | Armlæns pude m/c-skinne, Spinalus-3, 100x350mm højre       | Armrest cushion w/c-rail, Spinalus-3, 100x350mm right        |              |
|      | 2407-1477    | Armlæns pude m/c-skinne, Spinalus-3, 100x350mm venstre.    | Armrest cushion w/c-rail, Spinalus-3, 100x350mm left.        |              |
| 23   | 2407-1533    | Armlæns pude MC1124/MC1144/Mini Crosser X 70X210 højre.    | Armrest cushion MC1124/MC1144/Mini Crosser X 70X210 right..  | 1            |
| 24   | 2407-1534    | Armlæns pude MC1124/MC1144/Mini Crosser X 70X210 venstre.  | Armrest cushion MC1124/MC1144/Mini Crosser X 70X210 left..   | 1            |
|      | 2407-1525    | Armlæns pude MC1124/MC1144/Mini Crosser X 70X260 højre.    | Armrest cushion MC1124/MC1144/Mini Crosser X 70X260 right..  | 1            |
|      | 2407-1526    | Armlæns pude MC1124/MC1144/Mini Crosser X 70X260 venstre.  | Armrest cushion MC1124/MC1144/Mini Crosser X 70X260 left..   | 1            |
|      | 2407-1527    | Armlæns pude MC1124/MC1144/Mini Crosser X 70X300 højre.    | Armrest cushion MC1124/MC1144/Mini Crosser X 70X300 right..  | 1            |
|      | 2407-1528    | Armlæns pude MC1124/MC1144/Mini Crosser X 70X300 venstre.  | Armrest cushion MC1124/MC1144/Mini Crosser X 70X300 left..   | 1            |
|      | 2407-1531    | Armlæns pude MC1124/MC1144/Mini Crosser X 70X350 højre.    | Armrest cushion MC1124/MC1144/Mini Crosser X 70X350 right..  | 1            |
|      | 2407-1532    | Armlæns pude MC1124/MC1144/Mini Crosser X 70X350 venstre.  | Armrest cushion MC1124/MC1144/Mini Crosser X 70X350 left..   | 1            |
|      | 2407-1529    | Armlæns pude MC1124/MC1144/Mini Crosser X 70X400 højre.    | Armrest cushion MC1124/MC1144/Mini Crosser X 70X400 right..  | 1            |
|      | 2407-1530    | Armlæns pude MC1124/MC1144/Mini Crosser X 70X400 venstre.  | Armrest cushion MC1124/MC1144/Mini Crosser X 70X400 left..   | 1            |
|      | 2407-1523    | Armlæns pude MC1124/MC1144/Mini Crosser X 100X350 højre.   | Armrest cushion MC1124/MC1144/Mini Crosser X 100X350 right.. | 1            |
|      | 2407-1524    | Armlæns pude MC1124/MC1144/Mini Crosser X 100X350 venstre. | Armrest cushion MC1124/MC1144/Mini Crosser X 100X350 left..  | 1            |
| 25   | 2406-1736    | Løs krogøje for C-skinne, Spinalus-3                       | Hook eye for C-rail, Spinalus-3                              | 2            |

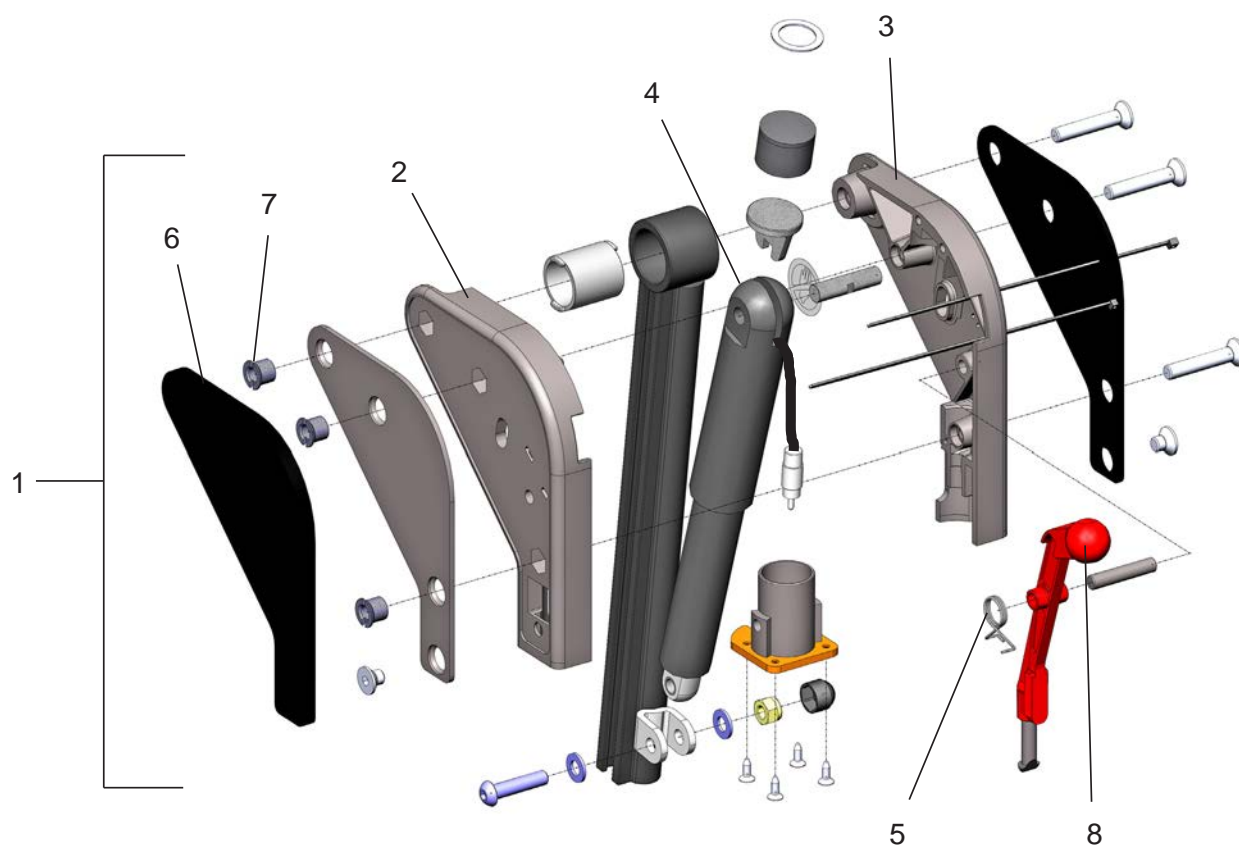
# MC 1124 Adult

Spinalus-2 MC 1124 uden puder  
 Spinalus-2 MC 1124 without cushions



# MC 1124 Adult

## Fodstøtte aktuator Footrest actuator part



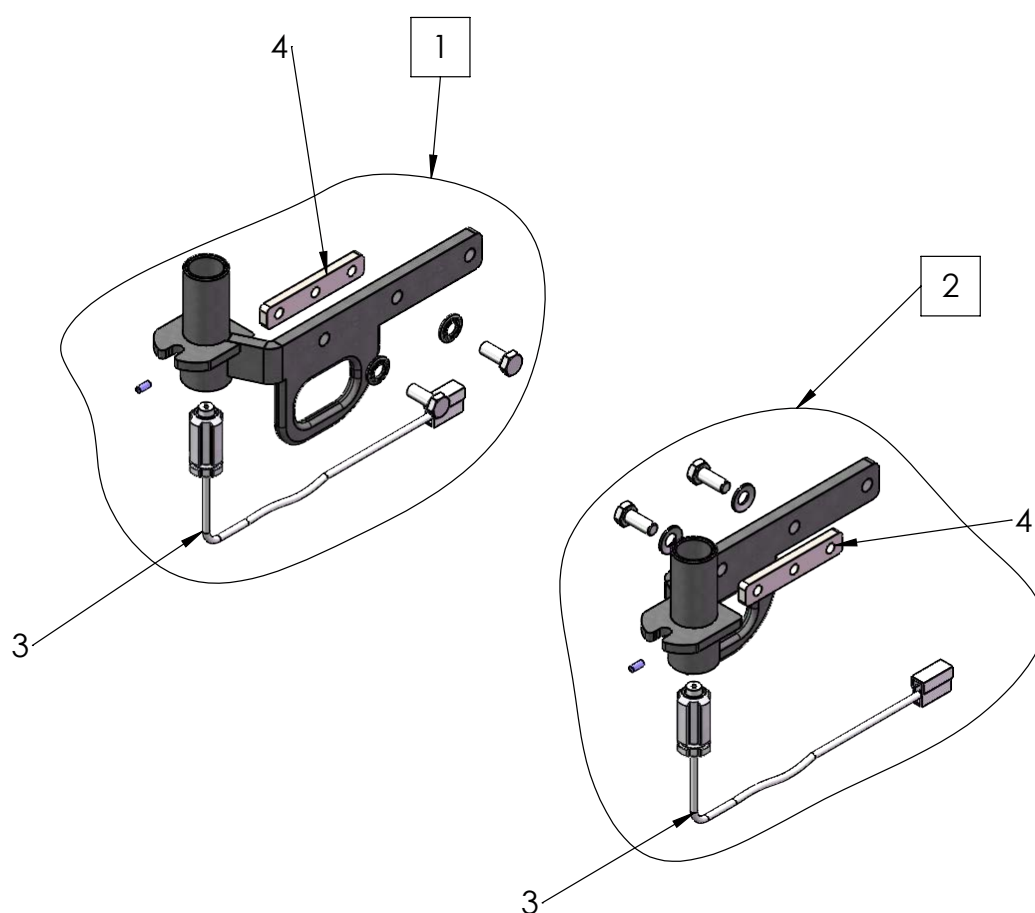
# MC 1124 Adult

## Fodstøtte aktuator del Footrest actuator part

| Pos | Del/part no. | Beskrivelse                      | Part name                               | Antal/<br>quant. |
|-----|--------------|----------------------------------|---|------------------|
| 1   | 2408-1166    | Fodstøtte aktuator del højre     | Footrest actuator part right            | 1                |
| 1   | 2408-1167    | Fodstøtte aktuator del venstre   | Footrest actuator part left             | 1                |
| 2   | 2408-1081    | Benstøttehoved venstre           | Legrest head left                       | 1                |
| 3   | 2408-1082    | Benstøttehoved højre             | Legrest head right                      | 1                |
| 4   | 2408-1182    | Aktuator del elbenstøtte komplet | Actuator part electric legrest complete | 1                |
| 5   | 2408-1085    | Fjeder for lås benstøtte         | Spring for lock, legrest                | 1                |
| 6   | 2408-1178    | Knæled beskytter, højre          | Knee protector, right                   | 1                |
| 6   | 2408-1179    | Knæled beskytter, venstre        | Knee protector, left                    | 1                |
| 7   | 2408-1088    | M8 møtrik special                | M8 special nut                          | 3                |
| 8   | 2408-1185    | Låseenhed benstøtte              | Locking device for legrest              | 1                |

# MC 1124 Adult

## Beslag for fodstøtte Bracket for footrest



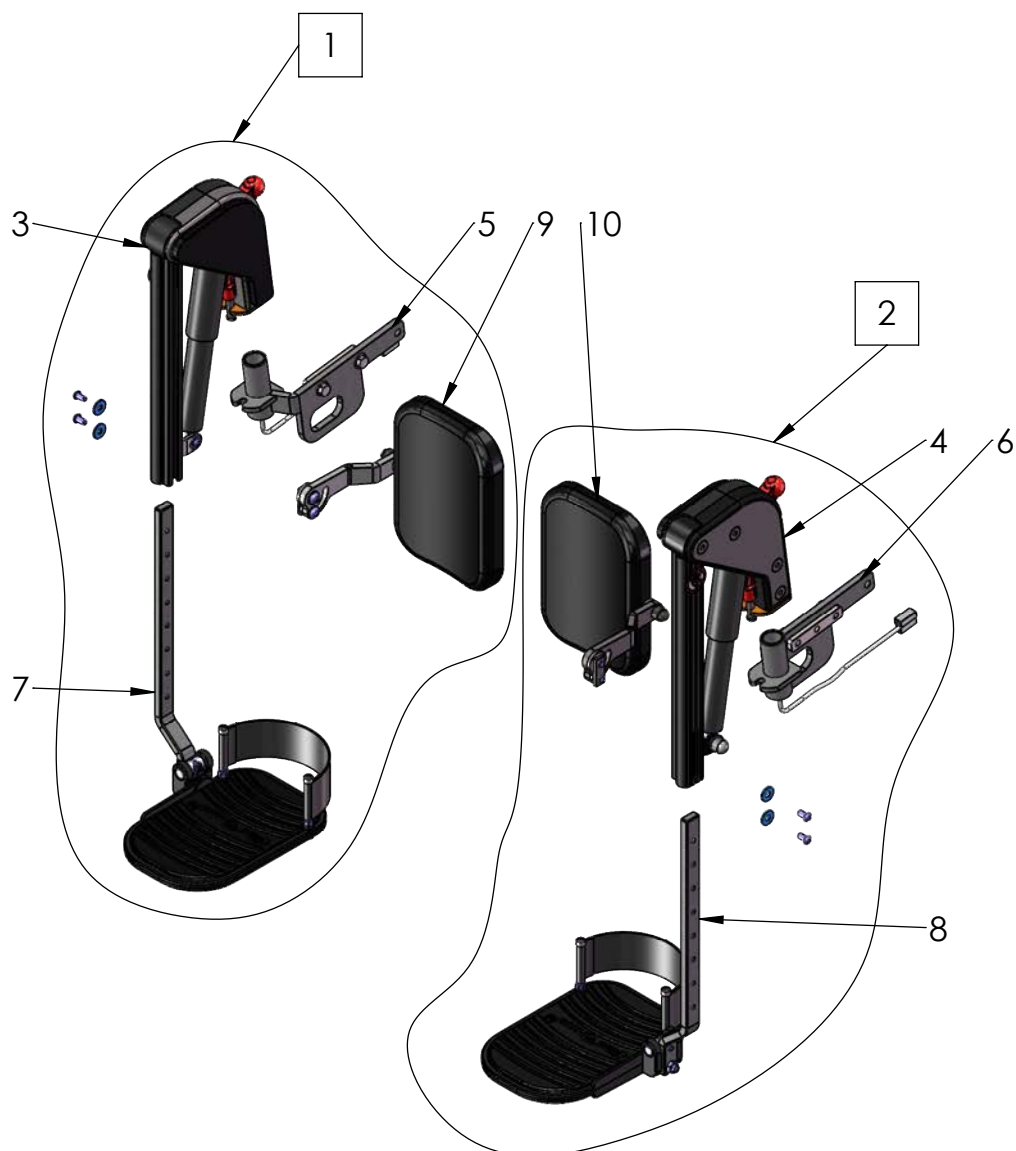
# MC 1124 Adult

## Beslag for fodstøtte Bracket for footrest

| Pos | Del/part no. | Beskrivelse   | Part name                              | Antal/<br>quant. |
|-----|--------------|---|--|------------------|
| 1   | 2408-1510    | Monteringsbeslag for benstøtte, højre, Spinalus-3   | Bracket for legrest, right, Spinalus-3 | 1                |
| 2   | 2408-1511    | Monteringsbeslag for benstøtte, venstre, Spinalus-3 | Bracket for legrest, left, Spinalus-3  | 1                |
| 3   | 2408-1181    | Stik benstøtte med ledning komplet                  | Plug for legrest complete w/ cable     | 1                |
| 4   | 2407-1164    | Laske for C-skinne, M8                              | Bracket for C-rail, M8                 | 2                |

# MC 1124 Adult

## Fodstøtte delte elektrisk voksen Footrest electric adult



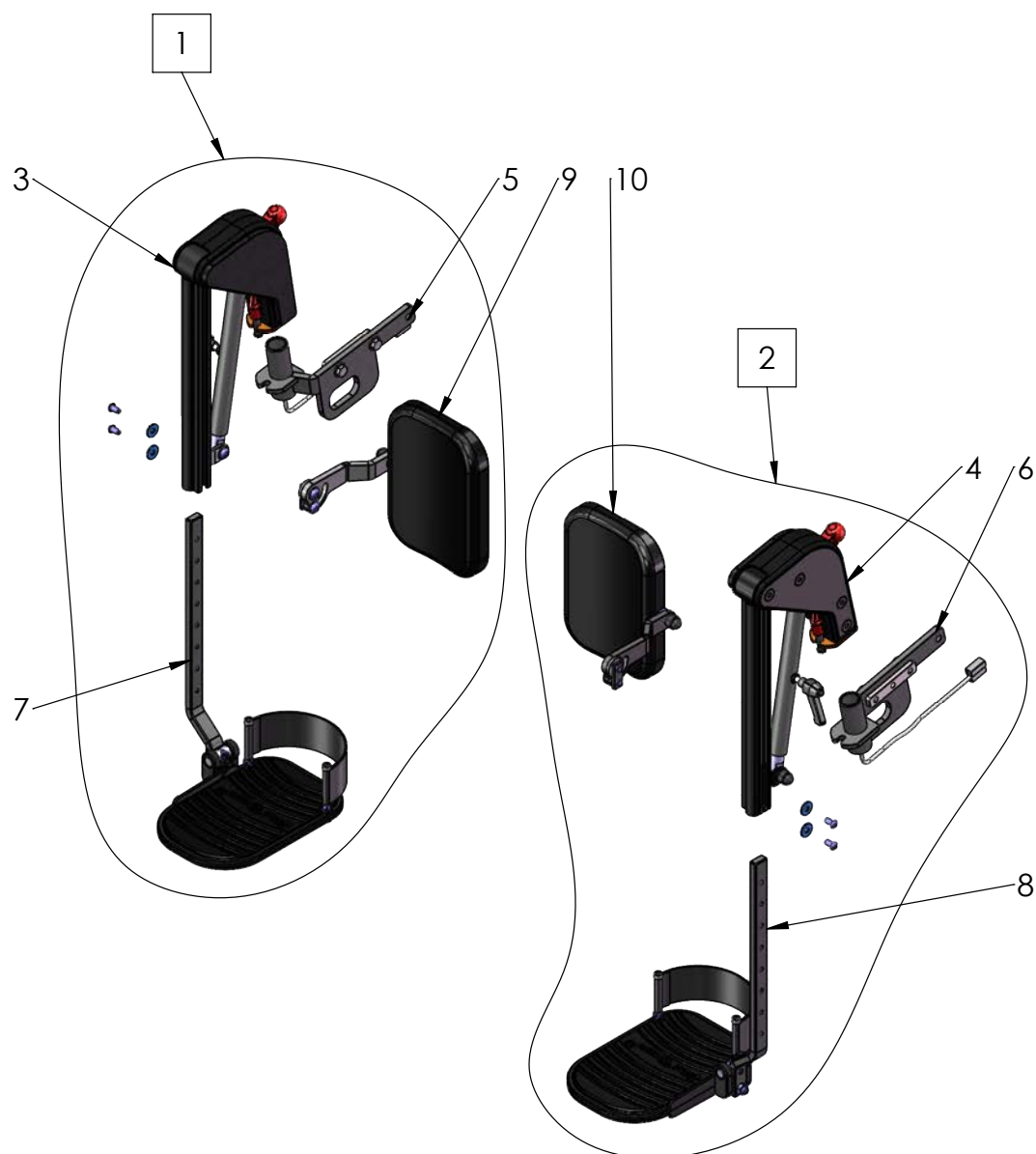
# MC 1124 Adult

## Fodstøtte delte elektrisk voksen Footrest electric adult

| Pos | Del/part no. | Beskrivelse                                       | Part name   | Antal/<br>quant. |
|-----|--------------|---|---|------------------|
| 1   | 2408-1506    | Fodstøtte EL voksen, højre, SB40-45 cm Spinalus-3 | Footrest electric adult, right, SB40-45 cm Spinalus-3 | 1                |
| 2   | 2408-1507    | Fodstøtte EL voksen, venstre, SB40-45 Spinalus-3  | Footrest electric adult, left, SB40-45 cm Spinalus-3  | 1                |
|     | 2408-1526    | Fodstøtte EL voksen, højre, SB+50 cm Spinalus-3   | Footrest electric adult, right, SB+50 cm Spinalus-3   |                  |
|     | 2408-1527    | Fodstøtte EL voksen, venstre, SB+50 Spinalus-3    | Footrest electric adult, left, SB+50 cm Spinalus-3    |                  |
| 3   | 2408-1166    | Fodstøtte actuator del, højre                     | Footrest actuator part, right                         | 1                |
| 4   | 2408-1167    | Fodstøtte actuator del, venstre                   | Footrest actuator part, left                          | 1                |
| 5   | 2408-1510    | Beslag for benstøtte, højre, Spinalus-3           | Bracket for legrest, right, Spinalus-3                | 1                |
| 6   | 2408-1511    | Beslag for benstøtte, venstre, Spinalus-3         | Bracket for legrest, left, Spinalus-3                 | 1                |
| 7   | 2408-1169    | Fodplade højre, SB40-45 cm                        | Footplate right, SB40-45 cm                           | 1                |
|     | 2408-1192    | Fodplade højre, SB50+ cm                          | Footplate right, SB50+ cm                             | 1                |
| 8   | 2408-1172    | Fodplade venstre, SB40-45 cm                      | Footplate left, SB40-45 cm                            | 1                |
|     | 2408-1193    | Fodplade venstre, SB50+ cm                        | Footplate left, SB50+ cm                              | 1                |
| 9   | 2408-1163    | Lægpude højre komplet, SB40-45 cm                 | Calf rest right complete, SB40-45 cm                  | 1                |
|     | 2408-1199    | Lægpude højre komplet, SB50+ cm                   | Calf rest right complete, SB50+ cm                    | 1                |
| 10  | 2408-1165    | Lægpude venstre komplet, SB40-45 cm               | Calf rest left complete, SB40-45 cm                   | 1                |
|     | 2408-1200    | Lægpude venstre komplet, SB50+ cm                 | Calf rest left complete, SB50+ cm                     | 1                |

# MC 1124 Adult

## Fodstøtte manuel voksen Footrest manual adult



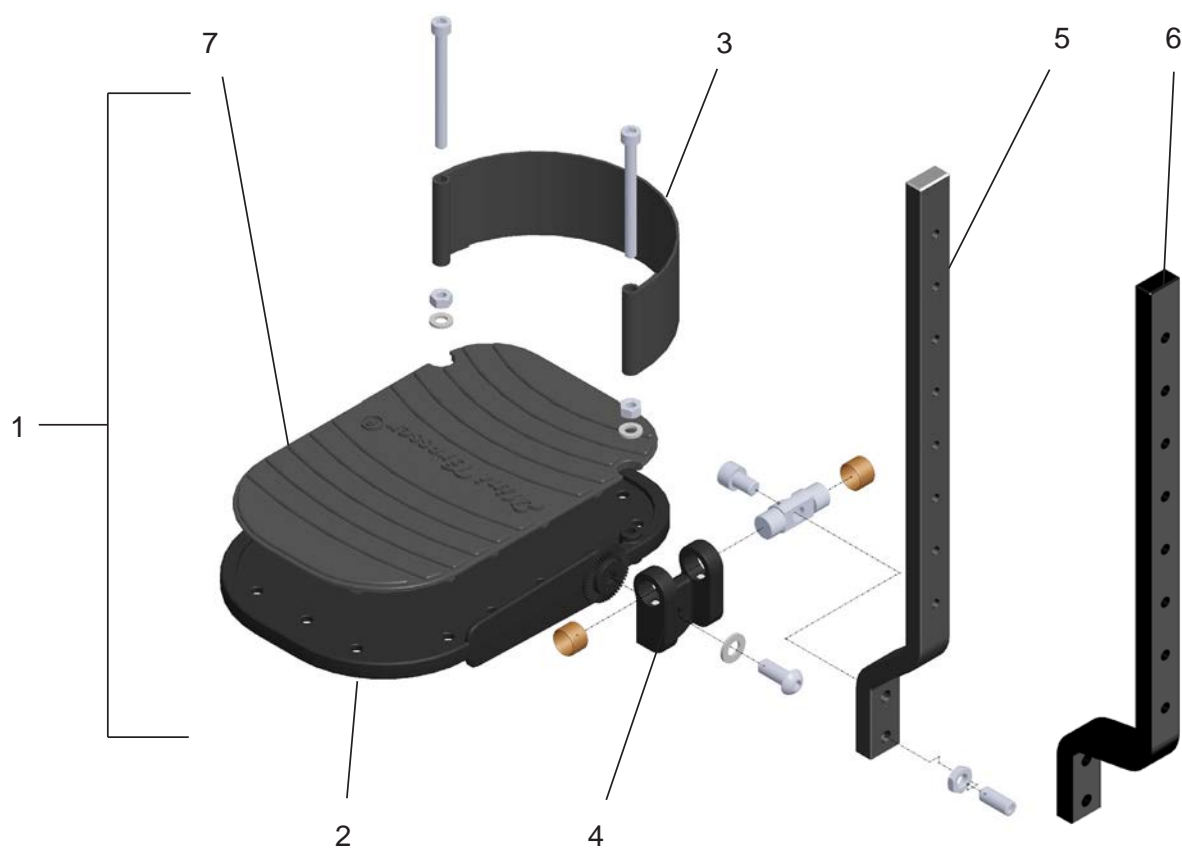
# MC 1124 Adult

## Fodstøtte manuel voksen Footrest manual adult

| Pos | Del/part no. | Beskrivelse   | Part name   | Antal/<br>quant. |
|-----|--------------|---|---|------------------|
| 1   | 2408-1508    | Fodstøtte manuel voksen, højre, SB40-45 cm Spinalus-3   | Footrest manual adult, right, SB40-45 cm Spinalus-3 | 1                |
| 2   | 2408-1509    | Fodstøtte manuel voksen, venstre, SB40-45 cm Spinalus-3 | Footrest manual adult, left, SB40-45 cm Spinalus-3  | 1                |
|     | 2408-1528    | Fodstøtte manuel voksen, højre, SB+50 cm Spinalus-3     | Footrest manual adult, right, SB+50 cm Spinalus-3   |                  |
|     | 2408-1529    | Fodstøtte manuel voksen, venstre, SB+50 cm Spinalus-3   | Footrest manual adult, left, SB+50 cm Spinalus-3    |                  |
| 3   | 2408-1234    | Fodstøtte toppart, højre manuel                         | Footrest top part, right manual                     | 1                |
| 4   | 2408-1235    | Fodstøtte toppart, venstre manuel                       | Footrest top part, left manual                      | 1                |
| 5   | 2408-1510    | Beslag for benstøtte, højre, Spinalus-3                 | Bracket for legrest, right, Spinalus-3              | 1                |
| 6   | 2408-1511    | Beslag for benstøtte, venstre, Spinalus-3               | Bracket for legrest, left, Spinalus-3               | 1                |
| 7   | 2408-1169    | Fodplade højre, SB40-45 cm                              | Footplate right, SB40-45 cm                         | 1                |
|     | 2408-1192    | Fodplade højre, SB50+ cm                                | Footplate right, SB50+ cm                           | 1                |
| 8   | 2408-1172    | Fodplade venstre, SB40-45 cm                            | Footplate left, SB40-45 cm                          | 1                |
|     | 2408-1193    | Fodplade venstre, SB50+ cm                              | Footplate left, SB50+ cm                            | 1                |
| 9   | 2408-1163    | Lægpude højre komplet, SB40-45 cm                       | Calf rest right complete, SB40-45 cm                | 1                |
|     | 2408-1199    | Lægpude højre komplet, SB50+ cm                         | Calf rest right complete, SB50+ cm                  | 1                |
| 10  | 2408-1165    | Lægpude venstre komplet, SB40-45 cm                     | Calf rest left complete, SB40-45 cm                 | 1                |
|     | 2408-1200    | Lægpude venstre komplet, SB50+ cm                       | Calf rest left complete, SB50+ cm                   | 1                |

# MC 1124 Adult

## Fodplade Foot plate



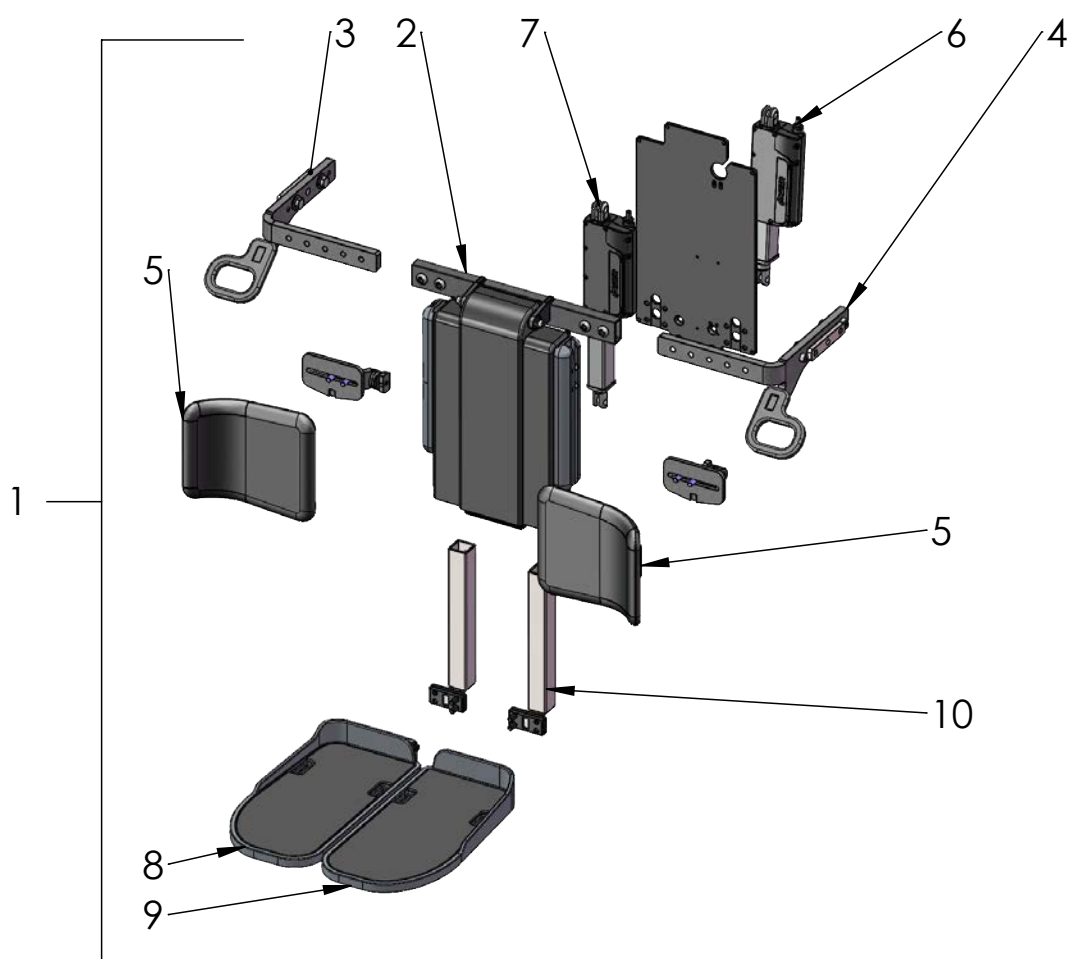
# MC 1124 Adult

## Fodplade Foot plate

| Pos | Del/part no. | Beskrivelse                          | Part name                                   | Antal/<br>quant. |
|-----|--------------|--------------------------------------|---|------------------|
| 1   | 2408-1169    | Fodplade højre SB40-45               | Footplate right SB40-45                     | 1                |
| 1   | 2408-1172    | Fodplade venstre SB40-45             | Footplate left SB40-45                      | 1                |
| 1   | 2408-1192    | Fodplade højre SB50+                 | Footplate right SB50+                       | 1                |
| 1   | 2408-1193    | Fodplade venstre SB50+               | Footplate left SB50+                        | 1                |
| 2   | 2408-1079    | Fodplade aluminium                   | Footrest aluminum                           | 1                |
| 3   | 2408-1187    | Hælstrop alu fodplade                | Heel strap alu footplate                    | 1                |
| 4   | 2408-1208    | Emne vinkling fodplade               | Hinge angulation, footplate                 | 1                |
| 5   | 2408-1180    | Profil underdel el-benstøtte SB40-45 | Profile lower part electric-legrest SB40-45 | 1                |
| 6   | 2408-1201    | Profil underdel el-benstøtte SB50+   | Profile lower part electric-legrest SB50+   | 1                |
| 7   | 2408-1174    | Måtte alufodplade                    | Mat aluminium footplate                     | 1                |

# MC 1124 Adult

Central fodplade, elektrisk voksen  
Central foot plate, electric adult



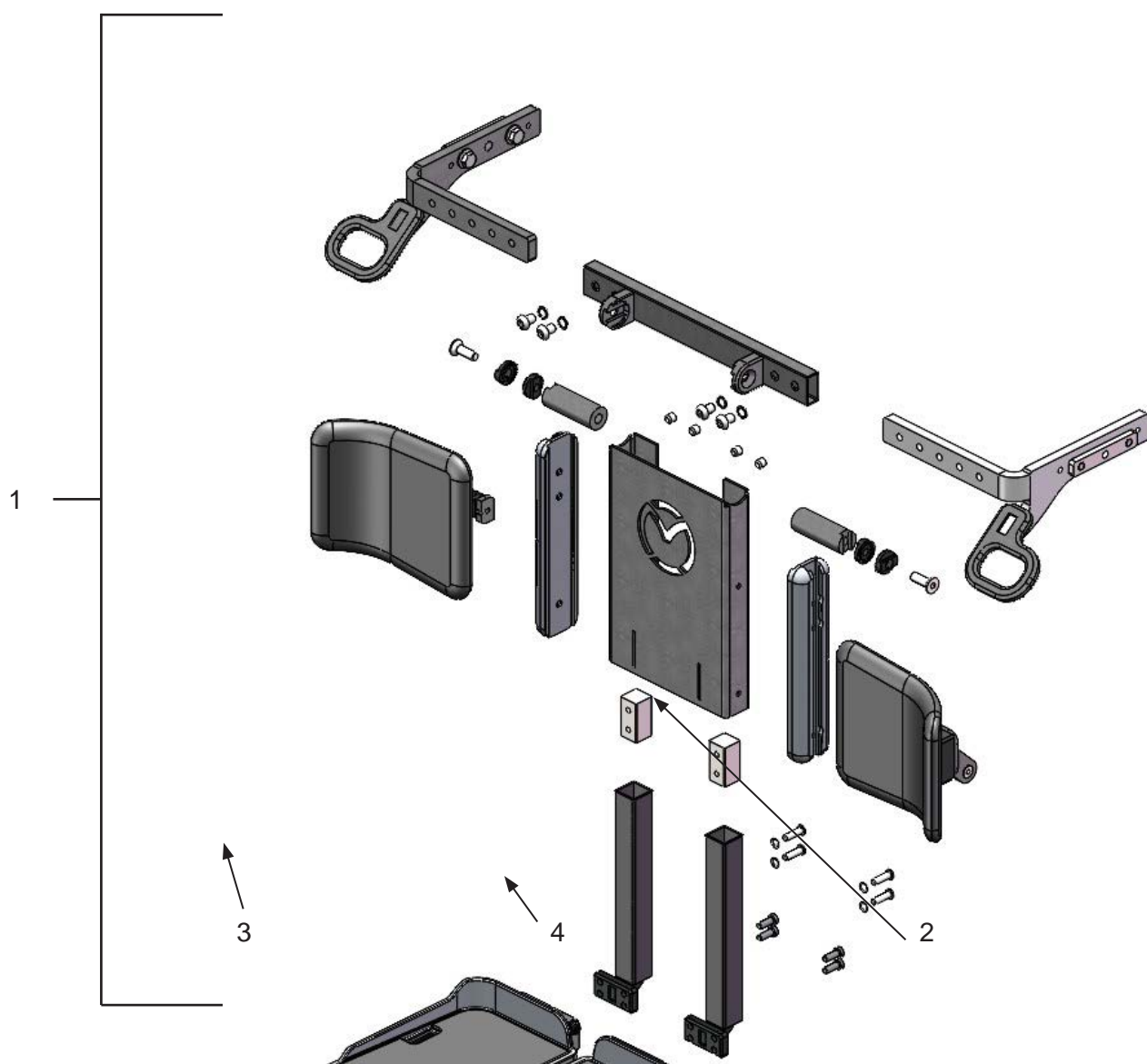
# MC 1124 Adult

## Central fodplade, elektrisk voksen Central foot plate, electric adult

| Pos | Del/part no. | Beskrivelse  | Part name   | Antal/<br>quant. |
|-----|--------------|--|---|------------------|
| 1   | 2408-1420    | Benstøtte central EL, voksen, Spinalus-3             | Central foot plate, electric adult, Spinalus-3              | 1                |
| 2   | 2408-1515    | Tårn komplet benstøtte central EL                    | Tower complete for central electric footrest                | 1                |
| 3   | 2408-1496    | Montagebeslag højre, central benstøtte, Spinalus-3   | Mounting bracket right, for central legrest, Spinalus-3     | 1                |
| 4   | 2408-1551    | Montagebeslag venstre, central benstøtte, Spinalus-3 | Mounting bracket left, for central legrest, Spinalus-3      |                  |
| 5   | 2408-1513    | Læg pude voksen H/V, Spinalus-3                      | Calf rest cushion adult R/L, Spinalus-3                     | 2                |
| 6   | 2405-1750    | Aktuator, yder, TA38M 100mm, Spinalus-3              | Actuator, outer, TA38M 100mm, Spinalus-3                    | 1                |
| 7   | 2405-1751    | Aktuator, inder, TA38M 150mm, Spinalus-3             | Actuator, inner, TA38 150mm, Spinalus-3                     | 1                |
| 8   | 2408-1545    | Fodplade V2 voksen, højre, Spinalus-3                | Footplate V2 adult, right, Spinalus-3                       | 2                |
| 9   | 2408-1544    | Fodplade V2 voksen, venstre, Spinalus-3              | Footplate V2 adult, left, Spinalus-3                        | 1                |
|     | 2405-1752    | Elektronik central benstøtte                         | Electronic, central electric footrest                       | 1                |
| 10  | 2408-1537    | Benstøtte justeringsprofil, EL standard              | Adjusting profile for central electric footrest, standard   | 1                |
|     | 2408-1538    | Benstøtte justeringsprofil, EL forhøjet              | Adjusting profile for central electric footrest, extra high | 1                |

# MC 1124 Adult

Central fodplade, voksen, manuel  
Central foot plate, adult, manual



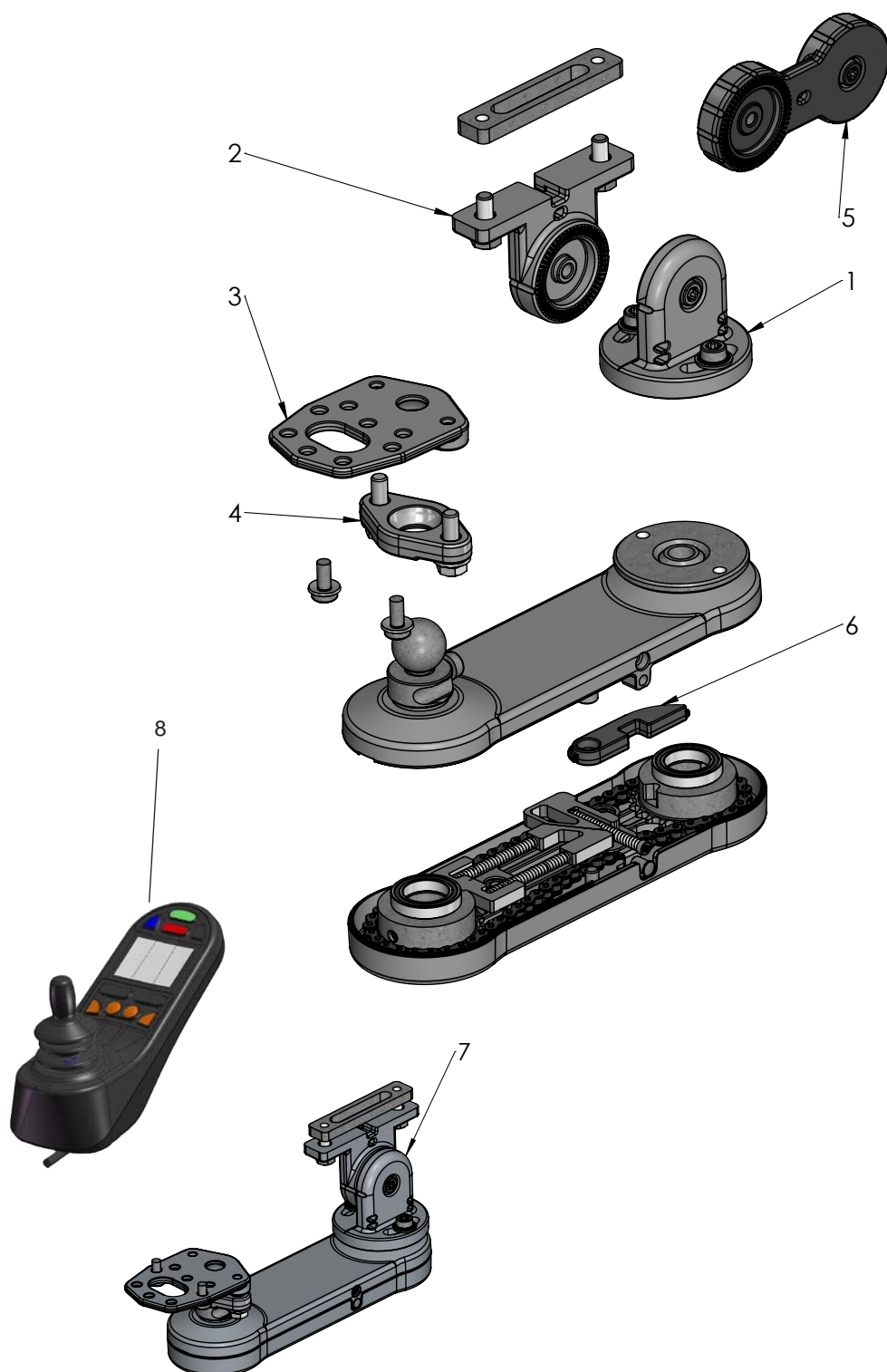
# MC 1124 Adult

Central fodplade, voksen, manuel  
Central foot plate, adult, manual

| Pos | Del/part no. | Part name  | Antal/<br>quant. |
|-----|--------------|--|------------------|
| 1   | 2408-1476    | Central foot plate, manual adult Spinalus-3                  | 1                |
| 2   | 2408-1513    | Legrest adult cushion R/L Spinalus-3                         | 1                |
|     | 2408-1627    | Legrest adult cushion R/L incl. mounting bracket, Spinalus-3 | 1                |
| 3   | 2408-1545    | Footrest adult, right, Spinalus-3                            | 1                |
| 4   | 2408-1544    | Footrest adult, left, Spinalus-3                             | 1                |

# MC 1124 Adult

## Sving væk joystickholder Swing-away joystick mount



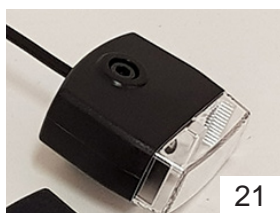
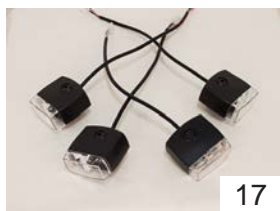
# MC 1124 Adult

## Sving væk joystickholder Swing-away joystick mount

| Pos | Del/part no. | Beskrivelse                       | Part name                         | Antal/quant. |
|-----|--------------|-----------------------------------|-----------------------------------|--------------|
| 1   | 2406-1012    | Justeringsbeslag for Sving væk    | Adjustment bracket for Swing away | 1            |
| 2   | 2406-1007    | Justeringsbeslag for armlæn       | Adjustmen bracket for armrest     | 1            |
| 3   | 2406-1039    | Multibeslag for joystick          | Multi bracket for joystick        | 1            |
| 4   | 2406-1040    | Spændebeslag for joystick         | Bracket for joystick              | 1            |
| 5   | 2406-1050    | Mellemedssæt for Sving væk        | Middle joint set for Swing away   | 1            |
| 6   | 2406-1622    | Kædestrammer sæt                  | Chain strainer set                | 1            |
| 7   | 2406-1042    | Sving væk for Spinalus-2/3        | Swing away for Spinalus-2/3       | 1            |
|     |              |                                   |                                   |              |
| 8   | 2405-1272    | Joystick R-NET, CJSM1-L-SW, color | Joystick R-NET, CJSM1-L-SW, color | 1            |

# MC 1124 Adult

## EI-dele MC 1124 Electric parts MC 1124



# MC 1124 Adult

## EI-dele MC 1124 Electric parts MC 1124

| Pos | Del/part no. | Beskrivelse   | Part name   | Antal/quant. |
|-----|--------------|---|---|--------------|
| 1   | 2405-1272    | Joystick R-net CJSM1-L-SW, color                          | Joystick R-net CJSM1-L-SW, color                          | 1            |
| 2   | 2405-1273    | Aktuatorboks 6+L R-net                                    | Actuatorbox 6+L R-net                                     | 1            |
| 3   | 2405-1274    | Power module R-net 120A                                   | Power module R-net 120A                                   | 1            |
| 4   | 2405-1448    | Termosikring med flysikring 70A                           | Thermal fuse with flight air safety 70A                   | 1            |
| 5   | 1523-1111    | Batteri HAZE GEL HZY-EV12-55                              | Battery HAZE GEL HZY-EV12-55                              | 2            |
| 6   | 1523-1141    | Lader VICTRON IMPULSE II 8A                               | Charger VICTRON IMPULSE II 8A                             | 1            |
|     |              | <b>Kabler</b>   | <b>Cables</b>   |              |
| 7   | 2405-1603    | Aktuator kabel, Spinalus-2/3                              | Actuator cable, Spinalus-2/3                              | 1            |
| 9   | 2405-1607    | Batterikabel, MC 1124 m. rødt håndtag                     | Battery cable, MC 1124 w. red handle                      | 1            |
| 10  | 2405-1608    | Batteri mellemkabel, MC 1124                              | Cable between batteries                                   | 1            |
| 11  | 2405-1459    | Buskabel R-net, 0,3 m                                     | Bus cable R-net, 0,3 m                                    |              |
|     | 2405-1457    | Buskabel R-net, 0,5 m                                     | Bus cable R-net, 0,5 m                                    |              |
|     | 2405-1276    | Buskabel R-net, 1 m                                       | Bus cable R-net, 1 m                                      |              |
|     | 2405-1305    | Buskabel R-net, 1,2 m                                     | Bus cable R-net, 1,2 m                                    |              |
|     | 2405-1441    | Buskabel R-net, 1,5 m                                     | Bus cable R-net, 1,5 m                                    |              |
|     | 2405-1458    | Buskabel R-net, 2,0 m                                     | Bus cable R-net, 2,0 m                                    |              |
|     | 2405-1275    | Buskabel R-net, 2,5 m                                     | Bus cable R-net, 2,5 m                                    |              |
| 12  | 2405-1597    | R-net Y-kabel   | R-net Y-cable   | 1            |
| 13  | 2405-1452    | Buskabel fordelerdåse til 4 stik, R-net                   | Bus cable distributor box for 4 connectors                | 1            |
|     |              | <b>Optioner</b>   | <b>Options</b>  |              |
| 14  | 2405-1615    | Gyro modul, R-net   | Gyro modul, R-net   |              |
| 15  | 2405-1738    | Reservekabel for R-net CJSM2 Joystick / bluetooth         | Spare part - cable for R-net CJSM2 Joystick / bluetooth.  |              |
| 16  | 2405-1055    | Reservekabel for R-net CJSM1 Joystick                     | Spare part - cable for R-net CJSM1 Joystick               |              |
| 17  | 2406-1739    | For- og baglyskit komplet, MC 1124 Spinalus-3             | Front- and back light set complete, MC 1124 Spinalus-3    | 1            |
| 18  | 2406-1737    | For- og baglyskit, højre, MC 1124 Spinalus-3              | Front- and back light set, right, MC 1124 Spinalus-3      |              |
| 19  | 2406-1738    | For- og baglyskit, venstre, MC 1124 Spinalus-3            | Front- and back light set, left, MC 1124 Spinalus-3       |              |
| 20  | 2406-1741    | Kabel, batteri til styring+benstøtte, Spinalus-3, MC 1124 | Cable, battery to controller+legrest, Spinalus-3, MC 1124 | 1            |
| 21  | 2406-1565    | Lys front, SMD, MC 1124/MC 1144                           | Light front, SMD, MC 1124/MC 1144                         | 1            |
| 22  | 2406-1566    | Lys bag, SMD, MC 1124/MC 1144                             | Light back, SMD, MC 1124/MC 1144                          | 1            |

# MC 1124 Adult

# MC 1124 Adult



medemagroup